

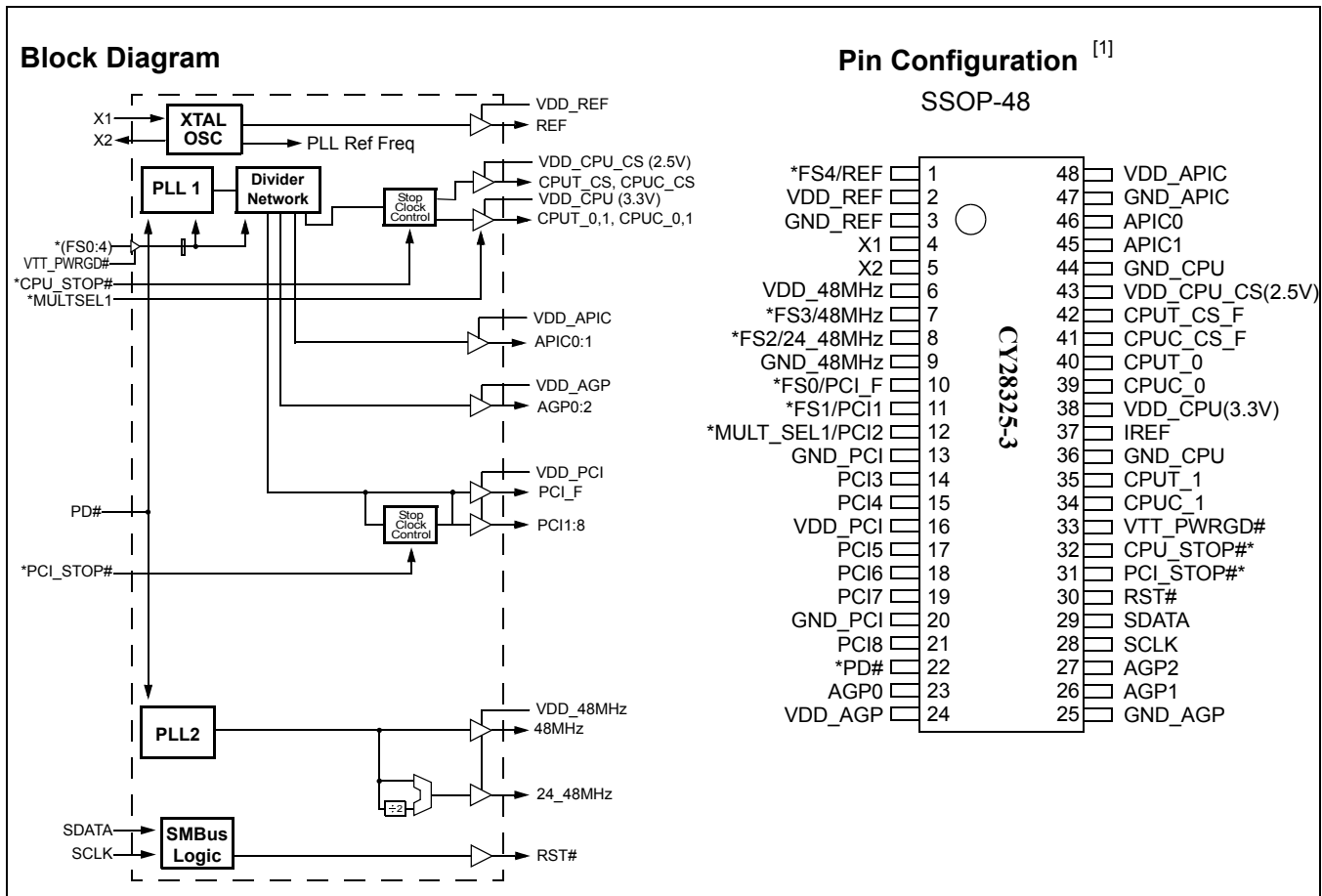


# FTG for VIA™ Pentium 4™ Chipsets

## Features

- Spread Spectrum Frequency Timing Generator for VIA PT/M 266-800 Pentium® 4 Chipsets
- Programmable clock output frequency with less than 1 MHz increment
- Integrated fail-safe Watchdog Timer for system recovery
- Selectable hardware or software-programmed clock frequency when Watchdog Timer time-out
- Capable to generate system RESET after a Watchdog Timer time-out occurs or a change in output frequency via SMBus interface
- Support SMBus Byte Read/Write and Block Read/Write operations to simplify system BIOS development
- Vendor ID and Revision ID support
- Programmable-drive strength support
- Programmable-output skew support
- Three copies AGP Clocks
- Power management control inputs
- Available in 48-pin SSOP

CPU	AGP	PCI	REF	APIC	48M	24_48M
x 3	x 3	x 9	x 1	x 2	x 1	x 1



**Note:**  
 1. Pins marked with [\*] have internal pull-up resistors. Pins marked with [^] have internal pull-down resistors.

**Pin Definitions**

Pin Name	No.	Type	Description
X1	4	I	<b>Crystal Connection or External Reference Frequency Input:</b> This pin has dual functions. It can be used as an external 14.318-MHz crystal connection or as an external reference frequency input.
X2	5	O	<b>Crystal Connection:</b> Connection for an external 14.318-MHz crystal. If using an external reference, this pin must be left unconnected.
REF/FS4	1	I/O	<b>Reference Clock Output/Frequency Select 4:</b> 3.3V 14.318-MHz output. This pin also serves as a power-on strap option to determine device operating frequency as described in the Frequency Selection Table.
CPUT_0:1 CPUC_0:1	40, 39, 35, 34	O	<b>CPU Clock Outputs:</b> Frequency is set by the FS0:4 inputs or through serial input interface.
CPUT_CS_F CPUC_CS_F	42, 41	O	<b>CPU Clock Outputs for Chipset:</b> Frequency is set by the FS0:4 inputs or through serial input interface.
APIC0:1	46, 45	O	<b>APIC Clock Output:</b> APIC clock outputs running at half of PCI output frequency.
AGP 0:2	23, 26, 27	O	<b>AGP Clock Output:</b> 3.3V AGP clock.
PCI_F/FS0	10	I/O	<b>Free-running PCI Output 1/Frequency Select 1:</b> 3.3V free-running PCI output. This pin also serves as a power-on strap option to determine device operating frequency as described in the Frequency Selection Table.
PCI1/FS1	11	I/O	<b>PCI Output 1 /Frequency Select 1:</b> 3.3V PCI output. This pin also serves as a power-on strap option to determine device operating frequency as described in the Frequency Selection Table.
PCI2/MULTSEL1	12	I/O	<b>PCI Output 2/Current Multiplier Selection 1:</b> 3.3V PCI output. This pin also serves as a power-on strap option to determine the current multiplier for the CPU clock outputs. The MULTSEL definitions are as follows: MULTSEL 0 = Ioh is $4 \times I_{REF}$ 1 = Ioh is $6 \times I_{REF}$
PCI3:8	14, 15, 17, 18, 19, 21	O	<b>PCI Clock Output 3 to 8:</b> 3.3V PCI clock outputs.
48MHz/FS3	7	I/O	<b>48-MHz Output/Frequency Select 3:</b> 3.3V fixed 48-MHz, non-spread spectrum output. This pin also serves as a power-on strap option to determine device operating frequency as described in the Frequency Selection Table.
24_48MHz/FS2	8	I/O	<b>24- or 48-MHz Output/Frequency Select 2:</b> 3.3V fixed 24- or 48-MHz non-spread spectrum output. This pin also serves as a power-on strap option to determine device operating frequency as described in the Frequency Selection Table.
CPU_STOP#	32	I	<b>CPU Output Control:</b> 3.3V LVTTTL-compatible input that disables CPUT_CS, CPUC_CS, CPUT_0:1 and CPUC_0:1.
PCI_STOP#	31	I	<b>PCI Output Control:</b> 3.3V LVTTTL-compatible input that disables PCI1:8.
PD#	22	I	<b>Power-down Control:</b> 3.3V LVTTTL-compatible input that places the device in power down mode when held LOW.
SCLK	28	I	<b>SMBus Clock Input:</b> Clock pin for serial interface.
SDATA	29	I/O	<b>SMBus Data Input:</b> Data pin for serial interface.
RST#	30	O (open-drain)	<b>System Reset Output:</b> Open-drain system reset output.
IREF	37	I	<b>Current Reference for CPU output:</b> A precision resistor is attached to this pin, which is connected to the internal current reference.

**Pin Definitions** (continued)

Pin Name	No.	Type	Description
VTT_PWRGD#	33	I	<b>Power-good from Voltage Regulator Module (VRM):</b> 3.3V LVTTTL input. VTT_PWRGD# is a level sensitive strobe used to determine when FS0:4 and MULTSEL inputs are valid and OK to be sampled (Active LOW). Once VTT_PWRGD# is sampled LOW, the status of this input will be ignored.
VDD_CPU_CS, VDD_APIC	43, 48	P	<b>2.5V Power Connection:</b> Power supply for CPU_CS outputs buffers and APIC output buffers. Connect to 2.5V.
VDD_REF, VDD_48MHz, VDD_PCI, VDD_AGP, VDD_CPU	2, 6, 16, 24, 38	P	<b>3.3V Power Connection:</b> Power supply for CPU outputs buffers, 3V66 output buffers, PCI output buffers, reference output buffers and 48-MHz output buffers. Connect to 3.3V.
GND_REF GND_48MHz, GND_PCI, GND_AGP, GND_CPU, GND_APIC	3, 9, 13, 20, 25, 36, 44, 47	G	<b>Ground Connection:</b> Connect all ground pins to the common system ground plane.

**Table 1. Frequency Selection Table**

Input Conditions					Output Frequency				PLL Gear Constants (G)
FS4 SEL4	FS3 SEL3	FS2 SEL2	FS1 SEL1	FS0 SEL0	CPU	AGP	PCI	APIC	
0	0	0	0	0	102.0	68.0	34.0	17.0	48.00741
0	0	0	0	1	105.0	70.0	35.0	17.5	48.00741
0	0	0	1	0	108.0	72.0	36.0	18.0	48.00741
0	0	0	1	1	111.0	74.0	37.0	18.5	48.00741
0	0	1	0	0	114.0	76.0	38.0	19.0	48.00741
0	0	1	0	1	117.0	78.0	39.0	19.5	48.00741
0	0	1	1	0	120.0	80.0	40.0	20.0	48.00741
0	0	1	1	1	123.0	82.0	41.0	20.5	48.00741
0	1	0	0	0	126.0	63.0	31.5	18.0	48.00741
0	1	0	0	1	130.0	65.0	32.5	18.5	48.00741
0	1	0	1	0	136.0	68.0	34.0	17.0	48.00741
0	1	0	1	1	140.0	70.0	35.0	17.5	48.00741
0	1	1	0	0	144.0	72.0	36.0	18.0	48.00741
0	1	1	0	1	148.0	74.0	37.0	18.5	48.00741
0	1	1	1	0	152.0	76.0	38.0	19.0	48.00741
0	1	1	1	1	156.0	78.0	39.0	19.5	48.00741
1	0	0	0	0	160.0	80.0	40.0	20.0	48.00741
1	0	0	0	1	164.0	82.0	41.0	20.5	48.00741
1	0	0	1	0	166.6	66.6	33.3	16.7	48.00741
1	0	0	1	1	170.0	68.0	34.0	17.0	48.00741
1	0	1	0	0	175.0	70.0	35.0	17.5	48.00741
1	0	1	0	1	180.0	72.0	36.0	18.0	48.00741

**Table 1. Frequency Selection Table (continued)**

Input Conditions					Output Frequency				PLL Gear Constants (G)
FS4 SEL4	FS3 SEL3	FS2 SEL2	FS1 SEL1	FS0 SEL0	CPU	AGP	PCI	APIC	
1	0	1	1	0	185.0	74.0	37.0	18.5	48.00741
1	0	1	1	1	190.0	76.0	38.0	19.0	48.00741
1	1	0	0	0	100.9	67.3	33.6	16.8	48.00741
1	1	0	0	1	133.9	67.0	33.5	16.7	48.00741
1	1	0	1	0	200.5	66.8	33.4	16.7	48.00741
1	1	0	1	1	166.8	66.7	33.3	16.7	48.00741
1	1	1	0	0	100.0	66.6	33.3	16.7	48.00741
1	1	1	0	1	133.3	66.6	33.3	16.7	48.00741
1	1	1	1	0	200.0	66.6	33.3	16.7	48.00741
1	1	1	1	1	166.7	66.7	33.3	16.7	48.00741

**Swing Select Functions**

MultSEL1	MultSEL0	Board Target Trace/Term Z	Reference R, IREF = $V_{DD}/(3 \cdot R_r)$	Output Current	$V_{OH} @ Z$
0	0	50Ω	Rr = 221 1%, IREF = 5.00 mA	$I_{OH} = 4 \cdot I_{ref}$	1.0V @ 50
0	0	60Ω	Rr = 221 1%, IREF = 5.00	$I_{OH} = 4 \cdot I_{ref}$	1.2V @ 60
0	1	50Ω	Rr = 221 1%, IREF = 5.00 mA	$I_{OH} = 5 \cdot I_{ref}$	1.25V @ 50
0	1	60Ω	Rr = 221 1%, IREF = 5.00 mA	$I_{OH} = 5 \cdot I_{ref}$	1.5V @ 60
1	0	50Ω	Rr = 221 1%, IREF = 5.00 mA	$I_{OH} = 6 \cdot I_{ref}$	1.5V @ 50
1	0	60Ω	Rr = 221 1%, IREF = 5.00 mA	$I_{OH} = 6 \cdot I_{ref}$	1.8V @ 60
1	1	50Ω	Rr = 221 1%, IREF = 5.00 mA	$I_{OH} = 7 \cdot I_{ref}$	1.75V @ 50
1	1	60Ω	Rr = 221 1%, IREF = 5.00 mA	$I_{OH} = 7 \cdot I_{ref}$	2.1V @ 60
0	0	50Ω	Rr = 475 1%, IREF = 2.32 mA	$I_{OH} = 4 \cdot I_{ref}$	0.47V @ 50
0	0	60Ω	Rr = 475 1%, IREF = 2.32 mA	$I_{OH} = 4 \cdot I_{ref}$	0.56V @ 60
0	1	50Ω	Rr = 475 1%, IREF = 2.32 mA	$I_{OH} = 5 \cdot I_{ref}$	0.58V @ 50
0	1	60Ω	Rr = 475 1%, IREF = 2.32 mA	$I_{OH} = 5 \cdot I_{ref}$	0.7V @ 60
1	0	50Ω	Rr = 475 1%, IREF = 2.32 mA	$I_{OH} = 6 \cdot I_{ref}$	0.7V @ 50
1	0	60Ω	Rr = 475 1%, IREF = 2.32 mA	$I_{OH} = 6 \cdot I_{ref}$	0.84V @ 60
1	1	50 Ohm	Rr = 475 1%, IREF = 2.32mA	$I_{OH} = 7 \cdot I_{ref}$	0.81V @ 50
1	1	60 Ohm	Rr = 475 1%, IREF = 2.32mA	$I_{OH} = 7 \cdot I_{ref}$	0.97V @ 60

## Serial Data Interface

To enhance the flexibility and function of the clock synthesizer, a two-signal serial interface is provided. Through the Serial Data Interface, various device functions, such as individual clock output buffers, can be individually enabled or disabled. The registers associated with the Serial Data Interface initialize to their default setting upon power-up, and therefore use of this interface is optional. Clock device register changes are normally made upon system initialization, if any are required. The interface cannot be used during system operation for power management functions.

## Data Protocol

The clock driver serial protocol accepts byte write, byte read, block write, and block read operations from the controller. For block write/read operation, the bytes must be accessed in sequential order from lowest to highest byte (most significant bit first) with the ability to stop after any complete byte has been transferred. For byte write and byte read operations, the system controller can access individually indexed bytes. The offset of the indexed byte is encoded in the command code, as described in *Table 2*.

The block write and block read protocol is outlined in *Table 3* while *Table 4* outlines the corresponding byte write and byte read protocol. The slave receiver address is 11010010 (D2h).

**Table 2. Command Code Definition**

Bit	Description
7	0 = Block read or block write operation, 1 = Byte read or byte write operation
(6:0)	Byte offset for byte read or byte write operation. For block read or block write operations, these bits should be '0000000'

**Table 3. Block Read and Block Write Protocol**

Block Write Protocol		Block Read Protocol	
Bit	Description	Bit	Description
1	Start	1	Start
2:8	Slave address – 7 bits	2:8	Slave address – 7 bits
9	Write = 0	9	Write = 0
10	Acknowledge from slave	10	Acknowledge from slave
11:18	Command Code – 8 Bit '00000000' stands for block operation	11:18	Command Code – 8 Bit '00000000' stands for block operation
19	Acknowledge from slave	19	Acknowledge from slave
20:27	Byte Count – 8 bits	20	Repeat start
28	Acknowledge from slave	21:27	Slave address – 7 bits
29:36	Data byte 1 – 8 bits	28	Read = 1
37	Acknowledge from slave	29	Acknowledge from slave
38:45	Data byte 2 – 8 bits	30:37	Byte count from slave – 8 bits
46	Acknowledge from slave	38	Acknowledge from master
....	.....	39:46	Data byte from slave – 8 bits
....	Data Byte (N-1) –8 bits	47	Acknowledge from master
....	Acknowledge from slave	48:55	Data byte from slave – 8 bits
....	Data Byte N –8 bits	56	Acknowledge from master
....	Acknowledge from slave	....	Data byte N from slave – 8 bits
....	Stop	....	Acknowledge from master
		....	Stop

**Table 4. Byte Read and Byte Write Protocol**

Byte Write Protocol		Byte Read Protocol	
Bit	Description	Bit	Description
1	Start	1	Start
2:8	Slave address – 7 bits	2:8	Slave address – 7 bits
9	Write = 0	9	Write = 0
10	Acknowledge from slave	10	Acknowledge from slave
11:18	Command Code – 8 bits '100xxxxx' stands for byte operation, bits[4:0] of the command code represents the offset of the byte to be accessed	11:18	Command Code – 8 bits '100xxxxx' stands for byte operation, bits[4:0] of the command code represents the offset of the byte to be accessed
19	Acknowledge from slave	19	Acknowledge from slave
20:27	Data byte from master – 8 bits	20	Repeat start
28	Acknowledge from slave	21:27	Slave address – 7 bits
29	Stop	28	Read = 1
		29	Acknowledge from slave
		30:37	Data byte from slave – 8 bits
		38	Acknowledge from master
		39	Stop

**Data Byte Configuration Map**
**Data Byte 0**

Bit	Pin#	Name	Description	Power-on Default
7	–	Reserved	Reserved	0
6	–	SEL2	SW Frequency selection bits. Refer to Frequency Selection Table	0
5	–	SEL1	SW Frequency selection bits. Refer to Frequency Selection Table	0
4	–	SEL0	SW Frequency selection bits. Refer to Frequency Selection Table	0
3	–	FS_Override	0 = Select operating frequency by FS[4:0] input pins 1 = Select operating frequency by SEL[4:0] settings	0
2	–	SEL4	SW Frequency selection bits. Refer to Frequency Selection Table	0
1	–	SEL3	SW Frequency selection bits. Refer to Frequency Selection Table	0
0	–	Reserved	Reserved	0

**Data Byte 1**

Bit	Pin#	Name	Description	Power-on Default
7	–	Reserved	Reserved	0
6	–	Spread Select2	“000” = OFF	0
5	–	Spread Select1	“001” = Reserved	0
4	–	Spread Select0	“010” = Reserved “011” = Reserved “100” = ± 0.25% “101” = – 0.5% “110” = ±0.5% “111” = ±0.38%	0
3	42, 41	CPUT_CS, CPUC_CS	(Active/Inactive)	1
2	35, 34	CPUT_1, CPUC_1	(Active/Inactive)	1
1	40, 39	CPUT_0, CPUC_0	(Active/Inactive)	1
0	–	CPU_CS_F STOP Control	1 = CPUT_CS_F and CPUC_CS_F are Free-running outputs 0 = CPUT_CS_F and CPUC_CS_F will be disabled when CPU_STOP# is active	1

**Data Byte 2**

Bit	Pin#	Name	Pin Description	Power-on Default
7	21	PCI8	1 = Enabled, 0 = Disabled	1
6	19	PCI7	1 = Enabled, 0 = Disabled	1
5	18	PCI6	1 = Enabled, 0 = Disabled	1
4	17	PCI5	1 = Enabled, 0 = Disabled	1
3	15	PCI4	1 = Enabled, 0 = Disabled	1
2	14	PCI3	1 = Enabled, 0 = Disabled	1
1	12	PCI2	1 = Enabled, 0 = Disabled	1
0	11	PCI1	1 = Enabled, 0 = Disabled	1

**Data Byte 3**

Bit	Pin#	Name	Pin Description	Power-on Default
7	–	Reserved	Reserved	0

**Data Byte 3**

Bit	Pin#	Name	Pin Description	Power-on Default
6	8	SEL_48MHZ	0 = 24 MHz 1 = 48 MHz	0
5	7	48MHz	1 = Enabled, 0 = Disabled	1
4	8	24_48MHZ	1 = Enabled, 0 = Disabled	1
3	10	PCI_F	1 = Enabled, 0 = Disabled	1
2	27	AGP2	1 = Enabled, 0 = Disabled	1
1	26	AGP1	1 = Enabled, 0 = Disabled	1
0	23	AGP0	1 = Enabled, 0 = Disabled	1

**Data Byte 4**

Bit	Pin#	Name	Pin Description	Power-on Default
7	–	PCI_Skew1	PCI skew control	0
6	–	PCI_Skew0	00 = Normal 01 = –500 ps 10 = Reserved 11 = +500 ps	0
5	–	WD_TIMER4	These bits store the time-out value of the Watchdog Timer. The scale of the timer is determine by the prescaler. The timer can support a value of 150 ms to 4.8 sec when the prescaler is set to 150 ms. If the prescaler is set to 2.5 sec, it can support a value from 2.5 sec to 80 sec. When the Watchdog Timer reaches “0,” it will set the WD_TO_STATUS bit and generate Reset if RST_EN_WD is enabled.	1
4	–	WD_TIMER3		1
3	–	WD_TIMER2		1
2	–	WD_TIMER1		1
1	–	WD_TIMER0		1
0	–	WD_PRE_SCALER	0 = 150 ms 1 = 2.5 sec	0

**Data Byte 5**

Bit	Pin#	Name	Pin Description	Power-on Default
7	7	48MHz_DRV	48-MHz clock output drive strength 0 = Normal 1 = High Drive	1
6	8	24_48MHz_DRV	24_48 MHz clock output drive strength 0 = Normal 1 = High Drive	1
5	45	APCI1	(Active/Inactive)	1
4	46	APIC0	(Active/Inactive)	1
3	–	SW_MULTSEL1	IREF multiplier 00 = Ioh is 4 × IREF 01 = Ioh is 5 × IREF 10 = Ioh is 6 × IREF 11 = Ioh is 7 × IREF	0
2	–	SW_MULTSEL0		0
1	1	REF	(Active/Inactive)	1
0	–	MULTSEL_Override	This bit control the selection of IREF multiplier. 0 = HW control; IREF multiplier is determined by MULTSEL1 input pin 1 = SW control; IREF multiplier is determined by SW_MULTSEL[0:1]	0

**Data Byte 6**

Bit	Pin#	Name	Pin Description	Power-on Default
7	–	Reserved	Reserved	1
6	–	Reserved	Reserved	1



**Data Byte 6 (continued)**

Bit	Pin#	Name	Pin Description	Power-on Default
5	–	Reserved	Reserved	1
4	–	Reserved	Reserved	1
3	–	Reserved	Reserved	1
2	–	Reserved	Reserved	1
1	–	Reserved	Reserved	1
0	–	Reserved	Reserved	1

**Data Byte 7**

Bit	Pin#	Name	Pin Description	Power-on Default
7	–	Reserved	Reserved	1
6	–	Reserved	Reserved	1
5	–	Reserved	Reserved	1
4	–	Reserved	Reserved	1
3	–	Reserved	Reserved	1
2	–	Reserved	Reserved	1
1	–	Reserved	Reserved	1
0	–	Reserved	Reserved	1

**Data Byte 8**

Bit	Pin#	Name	Pin Description	Power-on Default
7	–	Revision_ID3	Revision ID bit[3]	0
6	–	Revision_ID2	Revision ID bit[2]	0
5	–	Revision_ID1	Revision ID bit[1]	0
4	–	Revision_ID0	Revision ID bit[0]	0
3	–	Vendor_ID3	Bit[3] of Cypress's Vendor ID. This bit is Read-only.	1
2	–	Vendor_ID2	Bit[2] of Cypress's Vendor ID. This bit is Read-only.	0
1	–	Vendor_ID1	Bit[1] of Cypress's Vendor ID. This bit is Read-only.	0
0	–	Vendor_ID0	Bit[0] of Cypress's Vendor ID. This bit is Read-only.	0

**Data Byte 9**

Bit	Pin#	Name	Pin Description	Power-on Default
7	–	Reserved	Reserved	0
6	–	PCI_DRV	PCI clock output drive strength 0 = Low Drive 1 = High Drive	0
5	–	AGP_DRV	AGP clock output drive strength 0 = Low Drive 1 = High Drive	0
4	–	RST_EN_WD	This bit will enable the generation of a Reset pulse when a Watchdog timer time-out occurs. 0 = Disabled 1 = Enabled	0
3	–	RST_EN_FC	This bit will enable the generation of a Reset pulse after a frequency change occurs. 0 = Disabled 1 = Enabled	0

**Data Byte 9 (continued)**

Bit	Pin#	Name	Pin Description	Power-on Default
2	–	WD_TO_STAT US	Watchdog Timer Time-out Status Bit 0 = No time-out occurs (Read); Ignore (Write) 1 = time-out occurred (Read); Clear WD_TO_STATUS (Write)	0
1	–	WD_EN	0 = Stop and re-load Watchdog timer 1 = Enable Watchdog timer. It will start counting down after a frequency change occurs. <b>Note:</b> CY28325-3 will generate system reset, re-load a recovery frequency, and lock itself into a recovery frequency mode after a Watchdog timer time-out occurs. Under recovery frequency mode, CY28325-2 will not respond to any attempt to change the output frequency via the SMBus control bytes. System software can unlock the CY28325-3 from its recovery frequency mode by clearing the WD_EN bit.	0
0	–	Reserved	Reserved	0

**Data Byte 10**

Bit	Pin#	Name	Pin Description	Power-on Default
7	–	CPU_CS_F Skew2	CPU_CS_F Skew Control 000 = Normal 001 = –150 ps 010 = –300 ps 011 = –450 ps 100 = +150 ps 101 = +300 ps 110 = +450 ps 111 = +600 ps	0
6	–	CPU_CS_F Skew1		0
5	–	CPU_CS_F Skew0		0
4	–	CPU_Skew2	CPUT_0:1 and CPUC_0:1 Skew Control 000 = Normal 001 = –150 ps 010 = –300 ps 011 = –450 ps 100 = +150 ps 101 = +300 ps 110 = +450 ps 111 = +600 ps	0
3	–	CPU_Skew1		0
2	–	CPU_Skew0		0
1	–	AGP_Skew1	AGP Skew control 00 = Normal 01 = –150 ps 10 = +150 ps 11 = +300 ps	0
0	–	AGP_Skew0		0

**Data Byte 11**

Bit	Pin#	Name	Pin Description	Power-on Default
7	–	ROCV_FREQ_N7	If ROCV_FREQ_SEL is set, the values programmed in ROCV_FREQ_N[7:0] and ROCV_FREQ_M[6:0] will be used to determine the recovery CPU output frequency when a Watchdog Timer time-out occurs. The setting of FS_Override bit determines the frequency ratio for CPU and other output clocks. When FS_Override bit is cleared, the same frequency ratio stated in the Latched FS[4:0] register will be used. When it is set, the frequency ratio stated in the SEL[4:0] register will be used.	0
6	–	ROCV_FREQ_N6		0
5	–	ROCV_FREQ_N5		0
4	–	ROCV_FREQ_N4		0
3	–	ROCV_FREQ_N3		0
2	–	ROCV_FREQ_N2		0
1	–	ROCV_FREQ_N1		0
0	–	ROCV_FREQ_N0		0

**Data Byte 12**

Bit	Pin#	Name	Pin Description	Power-on Default
7	–	ROCV_FREQ_SEL	ROCV_FREQ_SEL determines the source of the recover frequency when a Watchdog timer time-out occurs. The clock generator will automatically switch to the recovery CPU frequency based on the selection on ROCV_FREQ_SEL. 0 = From latched FS[4:0] 1 = From the settings of ROCV_FREQ_N[7:0] & ROCV_FREQ_M[6:0]	0
6	–	ROCV_FREQ_M6	If ROCV_FREQ_SEL is set, the values programmed in ROCV_FREQ_N[7:0] and ROCV_FREQ_M[6:0] will be used to determine the recovery CPU output frequency when a Watchdog Timer time-out occurs. The setting of the FS_Override bit determines the frequency ratio for CPU and other output clocks. When FS_Override bit is cleared, the same frequency ratio stated in the Latched FS[4:0] register will be used. When it is set, the frequency ratio stated in the SEL[4:0] register will be used.	0
5	–	ROCV_FREQ_M5		0
4	–	ROCV_FREQ_M4		0
3	–	ROCV_FREQ_M3		0
2	–	ROCV_FREQ_M2		0
1	–	ROCV_FREQ_M1		0
0	–	ROCV_FREQ_M0		0

**Data Byte 13**

Bit	Pin#	Name	Pin Description	Power-on Default
7	–	CPU_FSEL_N7	If Prog_Freq_EN is set, the values programmed in CPU_FSEL_N[7:0] and CPU_FSEL_M[6:0] will be used to determine the CPU output frequency. The new frequency will start to load whenever CPU_FSELM[6:0] is updated. The setting of the FS_Override bit determines the frequency ratio for CPU and other output clocks. When it is cleared, the same frequency ratio stated in the Latched FS[4:0] register will be used. When it is set, the frequency ratio stated in the SEL[4:0] register will be used.	0
6	–	CPU_FSEL_N6		0
5	–	CPU_FSEL_N5		0
4	–	CPU_FSEL_N4		0
3	–	CPU_FSEL_N3		0
2	–	CPU_FSEL_N2		0
1	–	CPU_FSEL_N1		0
0	–	CPU_FSEL_N0		0

**Data Byte 14**

Bit	Pin#	Name	Pin Description	Power-on Default
7	–	Pro_Freq_EN	Programmable output frequencies enabled 0 = Disabled 1 = Enabled	0
6	–	CPU_FSEL_M6	If Prog_Freq_EN is set, the values programmed in CPU_FSEL_N[7:0] and CPU_FSEL_M[6:0] will be used to determine the CPU output frequency. The new frequency will start to load whenever CPU_FSELM[6:0] is updated. The setting of FS_Override bit determines the frequency ratio for CPU and other output clocks. When it is cleared, the same frequency ratio stated in the Latched FS[4:0] register will be used. When it is set, the frequency ratio stated in the SEL[4:0] register will be used.	0
5	–	CPU_FSEL_M5		0
4	–	CPU_FSEL_M4		0
3	–	CPU_FSEL_M3		0
2	–	CPU_FSEL_M2		0
1	–	CPU_FSEL_M1		0
0	–	CPU_FSEL_M0		0

**Data Byte 15**

Bit	Pin#	Name	Pin Description	Power-on Default
7	1	Latched FS4 input	Latched FS[4:0] inputs. These bits are Read-only.	X
6	7	Latched FS3 input		X
5	8	Latched FS2 input		X
4	11	Latched FS1 input		X
3	10	Latched FS0 input		X

**Data Byte 15**

Bit	Pin#	Name	Pin Description	Power-on Default
2	–	Reserved	Reserved	0
1	–	Vendor Test Mode	Reserved. Set = 1	1
0	–	Vendor Test Mode	Reserved. Set = 1	1

**Data Byte 16**

Bit	Pin#	Name	Pin Description	Power-on Default
7	–	Reserved	Reserved	0
6	–	Reserved	Reserved	0
5	–	Reserved	Reserved	0
4	–	Reserved	Reserved	0
3	–	Reserved	Reserved	0
2	–	Reserved	Reserved	0
1	–	Reserved	Reserved	0
0	–	Reserved	Reserved	0

**Data Byte 17**

Bit	Pin#	Name	Pin Description	Power-on Default
7	–	Reserved	Reserved	0
6	–	Reserved	Reserved	0
5	–	Reserved	Reserved	0
4	–	Reserved	Reserved	0
3	–	Reserved	Reserved	0
2	–	Reserved	Reserved	0
1	–	Reserved	Reserved	0
0	–	Reserved	Reserved	0

**Programmable Output Frequency, Watchdog Timer and Recovery Output Frequency Functional Description**

The Programmable Output Frequency feature allows users to generate any CPU output frequency from the range of 50 MHz to 248 MHz. Cypress offers the most dynamic and the simplest programming interface for system developers to utilize this feature in their platforms.

The Watchdog Timer and Recovery Output Frequency features allow users to implement a recovery mechanism when the system hangs or getting unstable. System BIOS or other control software can enable the Watchdog timer before they attempt to make a frequency change. If the system hangs and a Watchdog timer time-out occurs, a system reset will be generated and a recovery frequency will be activated. All the related registers are summarized in the following table.

**Table 5. Register Summary .**

Name	Description
Pro_Freq_EN	Programmable output frequencies enabled 0 = Disabled (default). 1 = Enabled. When it is disabled, the operating output frequency will be determined by either the latched value of FS[4:0] inputs or the programmed value of SEL[4:0]. If FS_Override bit is clear, latched FS[4:0] inputs will be used. If FS_Override bit is set, programmed value of SEL[4:0] will be used. When it is enabled, the CPU output frequency will be determined by the programmed value of CPUFSEL_N, CPUFSEL_M and the PLL Gear Constant. The program value of FS_Override, SEL[4:0] or the latched value of FS[4:0] will determine the PLL Gear Constant and the frequency ratio between CPU and other frequency outputs.

**Table 5. Register Summary** (continued).

Name	Description
FS_Override	When Pro_Freq_EN is cleared or disabled 0 = Select operating frequency by FS input pins (default). 1 = Select operating frequency by SEL bits in SMBus control bytes. When Pro_Freq_EN is set or enabled 0 = Frequency output ratio between CPU and other frequency groups and the PLL Gear Constant are based on the latched value of FS input pins (default). 1 = Frequency output ratio between CPU and other frequency groups and the PLL Gear Constant are based on the programmed value of SEL bits in SMBus control bytes.
CPU_FSEL_N, CPU_FSEL_M	When Prog_Freq_EN is set or enabled, the values programmed in CPU_FSEL_N[7:0] and CPU_FSEL_M[6:0] determines the CPU output frequency. The new frequency will start to load whenever there is an update to either CPU_FSEL_N[7:0] or CPU_FSEL_M[6:0]. Therefore, it is recommended to use Word or Block Write to update both registers within the same SMBus bus operation. The setting of FS_Override bit determines the frequency ratio for CPU, AGP and PIC. When FS_Override is cleared or disabled, the frequency ratio follows the latched value of the FS input pins. When FS_Override is set or enabled, the frequency ratio follows the programmed value of SEL bits in SMBus control bytes.
ROCV_FREQ_SEL	ROCV_FREQ_SEL determines the source of the recover frequency when a Watchdog timer time-out occurs. The clock generator will automatically switch to the recovery CPU frequency based on the selection on ROCV_FREQ_SEL. 0 = From latched FS[4:0] 1 = From the settings of ROCV_FREQ_N[7:0] & ROCV_FREQ_M[6:0].
ROCV_FREQ_N[7:0], ROCV_FREQ_M[6:0]	When ROCV_FREQ_SEL is set, the values programmed in ROCV_FREQ_N[7:0] and ROCV_FREQ_M[6:0] will be used to determine the recovery CPU output frequency when a Watchdog Timer time-out occurs. The setting of FS_Override bit determines the frequency ratio for CPU, AGP and PIC. When it is cleared, the same frequency ratio stated in the Latched FS[4:0] register will be used. When it is set, the frequency ratio stated in the SEL[4:0] register will be used. The new frequency will start to load whenever there is an update to either ROCV_FREQ_N[7:0] and ROCV_FREQ_M[6:0]. Therefore, it is recommended to use Word or Block Write to update both registers within the same SMBus bus operation.
WD_EN	0 = Stop and reload Watchdog Timer. 1 = Enable Watchdog Timer. It will start counting down after a frequency change occurs.
WD_TO_STATUS	Watchdog Timer Time-out Status bit 0 = No time-out occurs (Read); Ignore (Write) 1 = time-out occurred (Read); Clear WD_TO_STATUS (Write).
WD_TIMER[4:0]	These bits store the time-out value of the Watchdog Timer. The scale of the timer is determine by the prescaler. The timer can support a value of 150 ms to 4.8 sec when the pre-scaler is set to 150 ms. If the pre-scaler is set to 2.5 sec, it can support a value from 2.5 sec to 80 sec. When the Watchdog Timer reaches "0," it will set the WD_TO_STATUS bit.
WD_PRE_SCALER	0 = 150 ms 1 = 2.5 sec
RST_EN_WD	This bit will enable the generation of a Reset pulse when a Watchdog timer time-out occurs. 0 = Disabled 1 = Enabled
RST_EN_FC	This bit will enable the generation of a Reset pulse after a frequency change occurs. 0 = Disabled 1 = Enabled

**Program the CPU output frequency**

When the programmable output frequency feature is enabled (Pro\_Freq\_EN bit is set), the CPU output frequency is determined by the following equation:

$$F_{cpu} = G * (N+3)/(M+3).$$

"N" and "M" are the values programmed in Programmable Frequency Select N-Value Register and M-Value Register, respectively.

"G" stands for the PLL Gear Constant, which is determined by the programmed value of FS[4:0] or SEL[4:0]. The value is listed in *Table 6*.

The ratio of (N+3) and (M+3) need to be greater than "1"  $[(N+3)/(M+3) > 1]$ .

The following table lists set of N and M values for different frequency output ranges. This example use a fixed value for the M-Value Register and select the CPU output frequency by changing the value of the N-Value Register.

**Table 6. Examples of N and M Value for Different CPU Frequency Range**

Frequency Ranges	Gear Constants	Fixed Value for M-Value Register	Range of N-Value Register for Different CPU Frequency
50 MHz–129 MHz	48.00741	93	97 - 255
130 MHz–248 MHz	48.00741	45	127 - 245

**Absolute Maximum Conditions<sup>[2]</sup>**

Parameter	Description	Condition	Min.	Max.	Unit
$V_{DD}, V_{DDC}, V_{DDA}, V_{DDX}$	3.3V Supply Voltage	Maximum functional voltage	-0.5	5.5	V
$V_{DDQ}$	Analog Supply Voltage	Maximum functional voltage	-0.5	5.5	V
$V_{IN}$	Input Voltage	Relative to $V_{SS}$	-0.5	$V_{DD} + 0.5$	V
$T_S$	Temperature, Storage	Non-functional	-65	150	°C
$T_A$	Temperature, Operating Ambient	Functional	0	70	°C
$T_J$	Temperature, Junction	Functional		150	°C
$ESD_{HBM}$	ESD Protection (Human Body Model)	MIL-STD-883, Method 3015	2000	-	V
$\theta_{JC}$	Dissipation, Junction to Case	Mil-Spec 883E Method 1012.1	31.03		°C/W
$\theta_{JA}$	Dissipation, Junction to Ambient	JEDEC (JESD 51)	77.42		°C/W
UL-94	Flammability Rating	At 1/8 in.	V-0		
MSL	Moisture Sensitivity Level		1		

**Operating Conditions**

Parameter	Description	Min.	Max.	Unit
$V_{DD\_REF}, V_{DD\_PCI}, V_{DD\_AGP}, V_{DD\_CPU}, V_{DD\_48MHz}$	3.3V Supply Voltages	3.135	3.465	V
$V_{DD\_CPPU\_CS}$	CPU_CS Supply Voltage	2.375	2.625	V
$C_{in}$	Input Pin Capacitance		5	pF
$C_{XTAL}$	XTAL Pin Capacitance	-	22.5	pF
$C_L$	Max. Capacitive Load on 24_48MHz, 48 MHz, REF PCI, AGP	-	20 30	pF
$f_{(REF)}$	Reference Frequency, Oscillator Nominal Value	14.318	14.318	MHz

**Note:**

- Multiple Sequence:** The voltage on any input or I/O pin cannot exceed the power pin during power-up. Power supply sequencing is NOT required.

**DC Electrical Specifications**

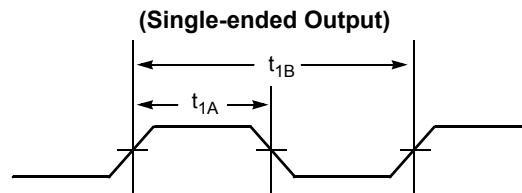
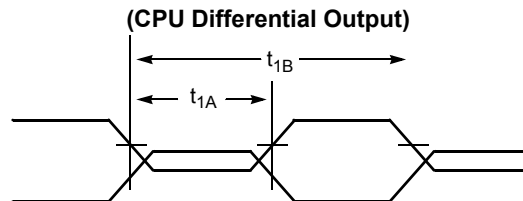
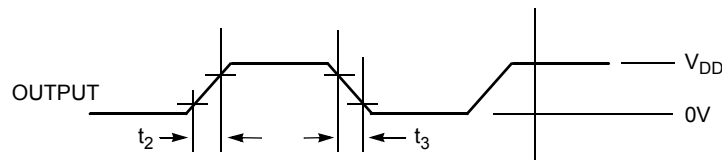
Parameter	Description	Test Conditions	Min.	Max.	Unit	
V <sub>IH</sub>	High-level Input Voltage	Except Crystal Pads. Threshold voltage for crystal pads = V <sub>DD</sub> /2	2.4	–	V	
V <sub>IL</sub>	Low-level Input Voltage	Except Crystal Pads	–	0.8	V	
V <sub>OH</sub>	High-level Output Voltage	24_48MHz, 48 MHz, REF, AGP	I <sub>OH</sub> = –1 mA	2.4	–	V
		PCI	I <sub>OH</sub> = –1 mA	2.4	–	V
V <sub>OL</sub>	Low-level Output Voltage	24_48MHz, 48 MHz, REF, AGP	I <sub>OL</sub> = 1 mA	–	0.4	V
		PCI	I <sub>OL</sub> = 1 mA	–	0.55	V
I <sub>IH</sub>	Input HIGH Current	0 ≤ V <sub>IN</sub> ≤ V <sub>DD</sub>	–5	5	μA	
I <sub>IL</sub>	Input LOW Current	0 ≤ V <sub>IN</sub> ≤ V <sub>DD</sub> , except inputs with pull-ups	–5	5	μA	
I <sub>IPUL</sub>	Input LOW Current	0 ≤ V <sub>IN</sub> ≤ V <sub>DD</sub> , inputs with pull-ups	–50	–	μA	
I <sub>OH</sub>	High-level Output Current	CPUT0:1, CPUC0:1 For I <sub>OH</sub> = 6*I <sub>Ref</sub> Configuration	Type X1, V <sub>OH</sub> = 0.65V	–12.9	–	mA
			Type X1, V <sub>OH</sub> = 0.74V	–	–14.9	
		REF, 24_48MHz, 48 MHz	Type 3, V <sub>OH</sub> = 1.00V	–29	–	
			Type 3, V <sub>OH</sub> = 3.135V	–	–23	
		AGP, PCI	Type 5, V <sub>OH</sub> = 1.00V	–33	–	
Type 5, V <sub>OH</sub> = 3.135V	–		–33			
I <sub>OL</sub>	Low-level Output Current	REF, 24_48MHz, 48 MHz	Type 3, V <sub>OL</sub> = 1.95V	29	–	mA
			Type 3, V <sub>OL</sub> = 0.4V	–	27	
		AGP, PCI	Type 5, V <sub>OL</sub> = 1.95 V	30	–	
			Type 5, V <sub>OL</sub> = 0.4V	–	38	
I <sub>DD33</sub>	Power Supply Current	3.3 V <sub>DD</sub> = 3.465V,	–	250	mA	
I <sub>DD25</sub>	Power Supply Current	2.5 V <sub>DD</sub> = 2.625V	–	75	mA	
I <sub>DDPD</sub>	Shutdown Current	3.3 V <sub>DD</sub> = 3.465V	–	20	mA	

**AC Electrical Specifications<sup>[3]</sup>**

Parameter	Output	Description	Test Conditions	Min.	Max.	Unit
t <sub>1</sub>	24_48 MHz, 48 MHz, REF, PCI	Output Duty Cycle <sup>[4]</sup>	Measured at 1.5V	40	60	%
t <sub>1</sub>	APIC, AGP	Output Duty Cycle <sup>[4]</sup>	Measured at 1.5V	35	65	%
t <sub>1</sub>	CPUT/C	Output Duty Cycle	Measured at V <sub>CROSS</sub>	45	55	%
t <sub>1</sub>	CPUT/C_CS	Output Duty Cycle	Measured at V <sub>CROSS</sub> ≤ 166MHz	45	55	%
t <sub>1</sub>	CPUT/C_CS	Output Duty Cycle	Measured at V <sub>CROSS</sub> @ 200MHz	30	70	%
t <sub>2</sub>	24_48 MHz, 48 MHz, PCI, PCI_F, REF, AGP	Rising Edge Rate <sup>[6]</sup>	Between 0.8V and 2.0V	0.5	2.2	ns
t <sub>2</sub>	APIC	Rising Edge Rate <sup>[6]</sup>	Between 0.8V and 2.0V	0.5	2.3	ns
t <sub>3</sub>	24_48 MHz, 48 MHz, PCI, PCI_F, REF, AGP	Falling Edge Rate	Between 2.0V and 0.8V	0.5	2.2	ns
t <sub>3</sub>	APIC	Falling Edge Rate <sup>[7]</sup>	Between 2.0V and 0.8V	0.5	2.3	ns
t <sub>5</sub>	AGP[0:2]	AGP-AGP Skew	Measured at 1.5V	–	300	ps
t <sub>6</sub>	PCI	PCI-PCI Skew	Measured at 1.5V	–	500	ps
t <sub>9</sub>	AGP, APIC	Cycle-Cycle Clock Jitter	Measured at 1.5V t <sub>9</sub> = t <sub>9A</sub> – t <sub>9B</sub>	–	500	ps
t <sub>9</sub>	24_48 MHz, 48 MHz	Cycle-Cycle Clock Jitter	Measured at 1.5V t <sub>9</sub> = t <sub>9A</sub> – t <sub>9B</sub>	–	350	ps
t <sub>9</sub>	PCI	Cycle-Cycle Clock Jitter	Measured at 1.5V t <sub>9</sub> = t <sub>9A</sub> – t <sub>9B</sub>	–	500	ps

**AC Electrical Specifications<sup>[3]</sup> (continued)**

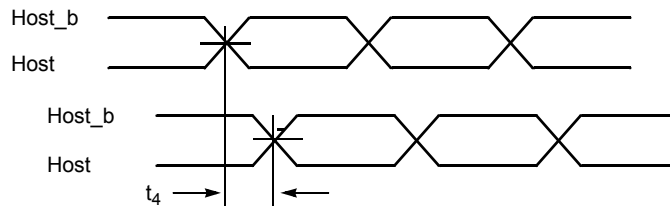
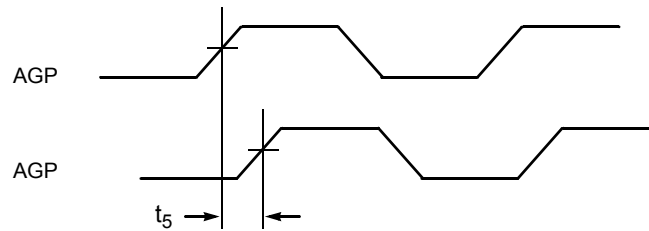
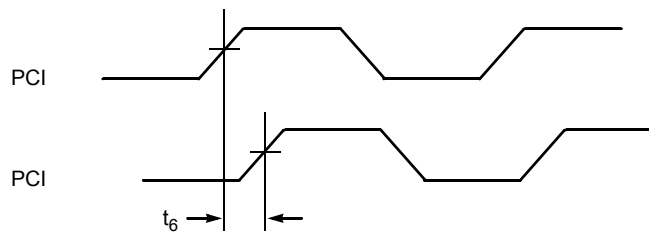
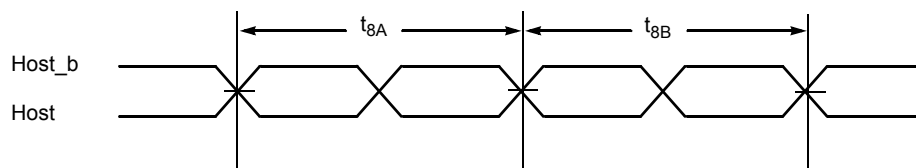
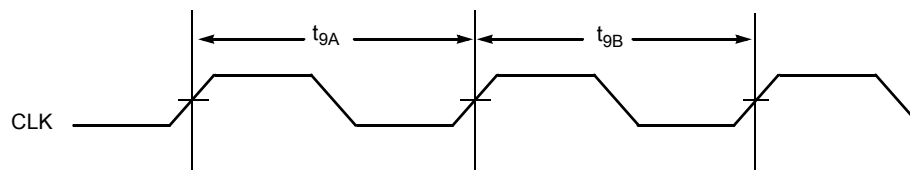
Parameter	Output	Description	Test Conditions	Min.	Max.	Unit
$t_9$	REF	Cycle-Cycle Clock Jitter	Measured at 1.5V $t_9 = t_{9A} - t_{9B}$	-	1000	ps
<b>0.7V CPUT/C, CPU_CS</b>						
$t_2$	CPU	Rise Time	Measured single ended waveform from 0.175V to 0.525V	0.175	1.6	ns
$t_3$	CPU	Fall Time	Measured single ended waveform from 0.525V to 0.175V	0.175	1.6	ns
$t_4$	CPU	CPU-CPU Skew	Measured at Crossover	-	150	ps
$t_8$	CPU	Cycle-Cycle Clock Jitter	Measured at Crossover $t_8 = t_{8A} - t_{8B}$ With all outputs running	-	300	ps
	CPU	Rise/Fall Matching	Measured with test loads <sup>[5, 6]</sup>	-	20	%
$V_{oh}$	CPU	High-level Output Voltage including overshoot	Measured with test loads <sup>[6]</sup>	-	0.85	V
$V_{ol}$	CPU	Low-level Output Voltage including undershoot	Measured with test loads <sup>[6]</sup>	-0.15	-	V
$V_{crossover}$	CPU	Crossover Voltage	Measured with test loads <sup>[6]</sup>	0.28	0.43	V

**Switching Waveforms**
**Duty Cycle Timing**

**Duty Cycle Timing**

**All Outputs Rise/Fall Time**

**Notes:**

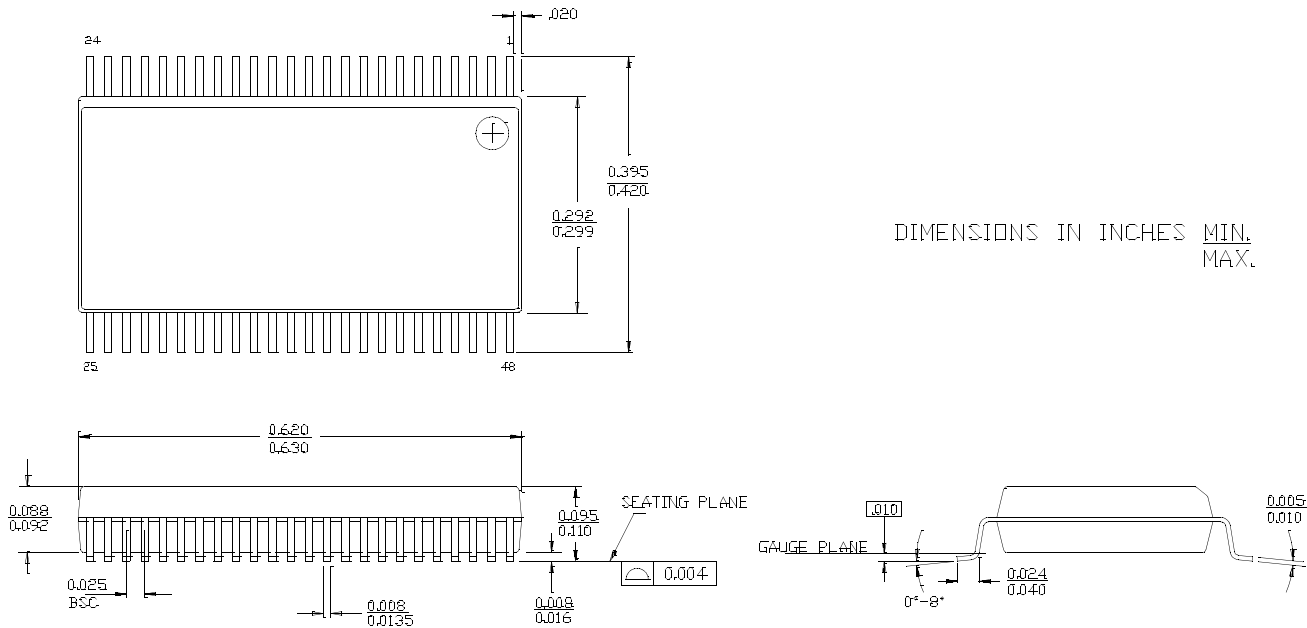
3. All parameters specified with loaded outputs.
4. Duty cycle is measured at 1.5V when  $V_{DD} = 3.3V$ . When  $V_{DD} = 2.5V$ , duty cycle is measure at 1.25V.
5. Determined as a fraction of  $2 \cdot (Trp - Trn) / (TRP + Trn)$  where Trp is a rising edge and Trn is an intersecting falling edge.
6. The 0.7V test load is  $R_S = 33.2\Omega$ ,  $R_P = 49.9\Omega$  in test circuit.
7. Characterize with control register, data byte 9, bits 5 and 6 = 1.



**Switching Waveforms** (continued)

**CPU-CPU Clock Skew**

**AGP-AGP Clock Skew**

**PCI-PCI Clock Skew**

**CPU Clock Cycle-Cycle Jitter**

**Cycle-Cycle Clock Jitter**

**Ordering Information**

Ordering Code	Package Type	Operating Range
CY28325OC-3	48-pin Shrunk Small Outline Package (SSOP)	Commercial, 0°C to 70°C
CY28325OC-3T	48-pin Shrunk Small Outline Package (SSOP) - Tape and Reel	Commercial, 0°C to 70°C
CY28325OXC-3	48-pin Shrunk Small Outline Package (SSOP)- Lead Free	Commercial, 0°C to 70°C
CY28325OXC-3T	48-pin Shrunk Small Outline Package (SSOP) - Tape and Reel- Lead Free	Commercial, 0°C to 70°C

**Package Diagram**
**48-lead Shrunken Small Outline Package O48**


51-85061-°C

Pentium 4 is a registered trademark of Intel Corporation. VIA is a trademark of VIA Technologies, Inc. All product and company names mentioned in this document may be the trademarks of their respective holders

**Document History Page**

<b>Document Title: CY28325-3 FTG for Via Pentium 4® Chipsets</b> <b>Document Number: 38-07590 Rev. **</b>				
<b>REV.</b>	<b>ECN NO.</b>	<b>Issue Date</b>	<b>Orig. of Change</b>	<b>Description of Change</b>
**	224401	See ECN	RGL	New Datasheet